



USER'S GUIDE

Table of Contents

Welcome	1
Safety Instructions	2
Controls At A Glance	3-4
Special Features	5
Operating Tips	6
Care and Cleaning	7
Storing the Washer	7
Before you Call	8-9
Warranty	11
Guide de L'Utilisateur	12
Guía del Usuario	24


***KEEP THESE INSTRUCTIONS
FOR FUTURE REFERENCE***

Welcome.....

Congratulations on your purchase of a Maytag Clothes Washer! Your satisfaction is very important to us.

Read this manual for best results. It contains instructions to acquaint you with proper operating and maintenance procedures.

In addition you will find a *Laundrying Tips* guide packed with your clothes washer. It contains information on recommended laundrying procedures, stain removal and special laundrying situations.

 **Save time and money.** If something should go wrong, we suggest consulting the “Before You Call” section in the back of this book. It is designed to help you solve basic problems before consulting a servicer.

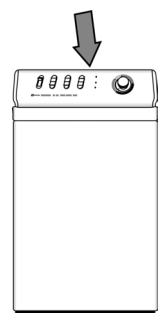
However, should you need assistance in the future, it is helpful to:

- 1) Have complete model and serial number identification of your washer. This is located on a data plate on the top edge of the control panel. Record these numbers below for easy access.

Model Number

Serial Number

Date of Purchase



- 2) **IMPORTANT: Keep this guide and the sales receipt in a safe place for future reference. Proof of original purchase date is needed for warranty service.**

If you have questions, write us (include your model number and phone number) or call:

Maytag Appliances Sales Company
Attn: CAIR® Center
P.O. Box 2370
Cleveland, TN 37320-2370
1-800-688-9900 USA
1-800-688-2002 CANADA
1-800-688-2080 USA TTY (for deaf, hearing impaired or speech impaired)
Mon.–Fri., 8am–8pm Eastern Time
Internet: <http://www.maytag.com>

For service and warranty information, see back page.

NOTE: In our continuing effort to improve the quality of our appliances, it may be necessary to make changes to the washer without revising this guide.

What you need to know about safety instructions

Warning and Important Safety Instructions appearing in this manual are not meant to cover all possible conditions and situations that may occur. Common sense, caution, and care must be exercised when installing, maintaining or operating appliance.

Always contact your dealer, distributor, service agent, or manufacturer about problems or conditions you do not understand.

Recognize safety symbols, words, labels

WARNING

WARNING – Hazards or unsafe practices which **COULD** result in severe personal injury or death.

CAUTION

CAUTION – Hazards or unsafe practices which **COULD** result in minor personal injury.

Important Safety Instructions.....

⚠ WARNING — To reduce the risk of fire, explosion, electric shock or personal injury when using your washer, follow basic safety precautions, including the following:

1. Read all instructions before using the appliance.
2. As with any equipment using electricity and having moving parts, there are potential hazards. To use this appliance safely, the operator should become familiar with the instructions for operation of the appliance and always exercise care when using it.
3. Do not install or store this appliance where it will be exposed to the weather.
4. Install and level washer on a floor that can support the weight.
5. This appliance must be properly grounded. Never plug the appliance cord into a receptacle which is not grounded adequately and in accordance with local and national codes. See installation instructions for grounding this appliance.
6. To avoid the possibility of fire or explosion:
 - a. Do not wash items that have been previously cleaned in, washed in, soaked in, or spotted with gasoline, dry-cleaning solvents, other flammable or explosive substances as they give off vapors that could ignite or explode. Hand wash and line dry any items containing these substances.

Any material on which you have used a cleaning solvent, or which is saturated with flammable liquids or solids, should not be placed in the washer until all traces of these liquids or solids and their fumes have been removed.

These items include acetone, denatured alcohol, gasoline, kerosene, some liquid household cleaners, some spot removers, turpentine, waxes and wax removers.
 - b. Do not add gasoline, dry-cleaning solvents, or other flammable or explosive substances to the wash water. These substances give off vapors that could ignite or explode.
 - c. Under certain conditions, hydrogen gas may be produced in a hot water system that has not been used for 2 weeks or more. **HYDROGEN GAS IS EXPLOSIVE.** If the hot water system has not been used for such a period, before using a washing machine or combination washer-dryer, turn on all hot water faucets and let the water flow from each for several minutes. This will release any accumulated hydrogen gas. As the gas is flammable, do not smoke or use an open flame during this time.
7. Do not reach into the appliance if the tub or agitator is moving.
8. Do not allow children or pets to play on, in, or in front of the appliance. Close supervision is necessary when the appliance is used near children and pets.
9. Do not tamper with controls.
10. Do not repair or replace any part of the appliance or attempt any servicing unless specifically recommended in published user-repair instructions that you understand and have the skills to carry out.
11. Unplug power supply cord before attempting to service your washer.
12. The agitator should not be removed. If the agitator is removed, it must be replaced by pushing down completely and the locking screw tightened before the washer is operated.
13. Store laundry aids and other material in a cool, dry place where children cannot reach them.
14. Do not wash or dry items that are soiled with vegetable or cooking oil. These items may contain some oil after laundering. Due to the remaining oil, the fabric may smoke or catch fire by itself.
15. Do not use chlorine bleach and ammonia or acids (such as vinegar or rust remover) in the same wash. Hazardous fumes can form.
16. Do not machine wash fiberglass materials. Small particles can stick to fabrics washed in following loads and cause skin irritation.
17. Before the appliance is removed from service or discarded, remove the door to the washing compartment.
18. Inlet hoses are subject to damage and deterioration over time. Check the hoses periodically for bulges, kinks, cuts, wear or leaks and replace them every five years.

Save These Instructions



Controls At A Glance

Step 1 Select Cycle

(Features may vary according to model.)

Press the control dial in and turn clockwise to the desired cycle. Pull the knob out to start the washer.

DELICATES is designed for items requiring delicate wash action. Cycles available:

NORMAL – Approximately 10-12 minutes of wash time

LIGHT – Approximately 7-9 minutes of wash time

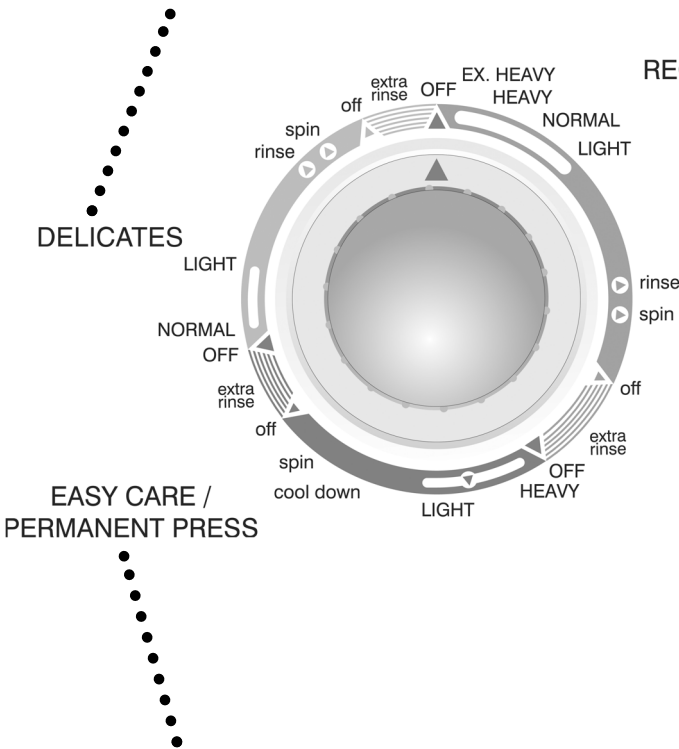
REGULAR is used for normal, sturdy fabrics. Cycles available:

EXTRA HEAVY (select models) – Approximately 16-18 minutes of wash time

HEAVY – Approximately 14-18 minutes of wash time

▼ **(NORMAL)** – Approximately 10-13 minutes of wash time

LIGHT – Approximately 7-9 minutes of wash time



EASY CARE/PERMANENT PRESS is designed to minimize wrinkles with a cool-down spray rinse following the wash. Cycles available:

HEAVY – Approximately 10-14 minutes of wash time

▼ **(NORMAL)** – Approximately 7-9 minutes of wash time

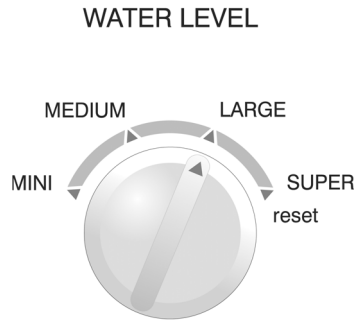
LIGHT – Approximately 5-6 minutes of wash time

Step 2 Select Water Level (Features may vary according to model.)

Turn the **WATER LEVEL** knob to the setting that matches the size of the load.

Select models offer infinite settings. Choose a specific setting or any point in between.

If more water is needed once the fill is complete, turn the knob to **reset** and then to the proper setting.

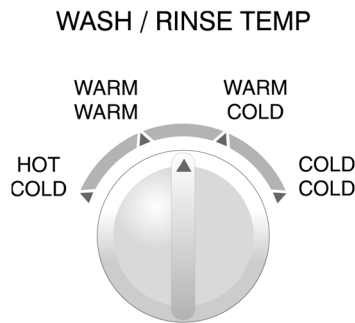


WATER LEVEL SETTING	LOAD SIZE
Super	3/4 – Full
Large	1/2 – 3/4 Full
Medium	1/3 – 1/2 Full
Mini	1/4 Full

REMEMBER: Items must circulate freely for best results.

Step 3 Select Water Temperature

Turn the **WASH/RINSE** knob to the desired water temperatures. Follow the garment care label for best results. Use the chart at right as a guide.



WASH/RINSE TEMPS	LOAD TYPE
Hot/Cold	White and heavily soiled, color-fast items
Warm/Warm (select models)	Delicate items
Warm/Cold	Moderately soiled, colored items; most Easy Care/Permanent Press items
Cold/Cold	Brightly colored, lightly soiled items; washable wools

REMEMBER: In wash water temperatures below 65° F, detergents do not dissolve well or clean well. Care labels define cold water as up to 85° F.

Step 4 Select Extra Rinse (if desired) (select models)

OPTION	USE
Extra Rinse (select models)	Provides additional rinse at the end of the cycle to more completely remove laundry additives, suds, perfumes, etc.

EXTRA RINSE



Step 5 Start Washer

- Add detergent and any additives.
- Add load and close lid.
- Pull the control dial out to start.



Special Features.....

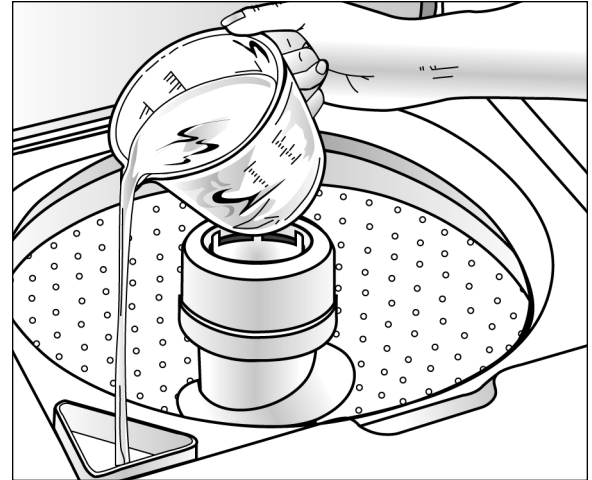
Bleach Dispenser (select models)

The dispenser automatically dilutes liquid chlorine bleach before it reaches your wash load. To use, follow these steps:

1. Measure liquid chlorine bleach carefully, following the instructions on the bottle.
2. Add the bleach to the dispenser before adding the load. Avoid splashing or over-filling the dispenser.

NOTE:

- Never pour undiluted liquid chlorine bleach directly onto the load or into the wash tub. It is a powerful chemical and can cause fabric damage, such as tearing or color loss, if not used properly.
- If you prefer to use color-safe, non-chlorine bleach, pour it into the wash tub with your detergent. Do not pour non-chlorine bleaches into the bleach dispenser.



Pour liquid chlorine bleach into bleach dispenser.

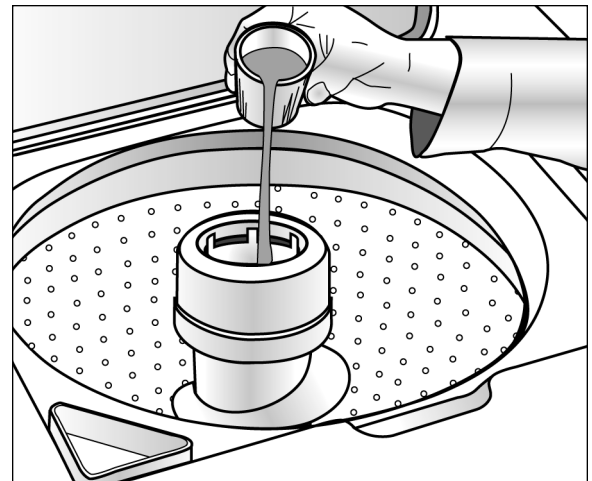
Fabric Softener Dispenser

This dispenser automatically releases liquid fabric softener at the proper time during the cycle. To use, follow these steps:

1. Pour a measured amount of desired liquid into dispenser to fill line only.
2. If liquid comes below line, add warm water.

NOTE:

- Do not stop the washer during the first spin. This will cause the dispenser to empty too soon.
- Never pour fabric softener directly on the load. It will leave spots and stains.
- Use the dispenser for liquid fabric softeners only.



Pour liquid fabric softener into cup and dilute with warm water.

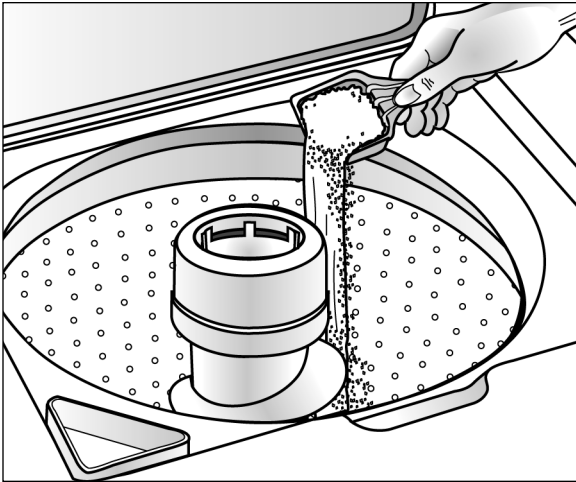


Operating Tips.....

For detailed information on sorting, pretreating stains, etc., see the enclosed Laundry Tips pamphlet.

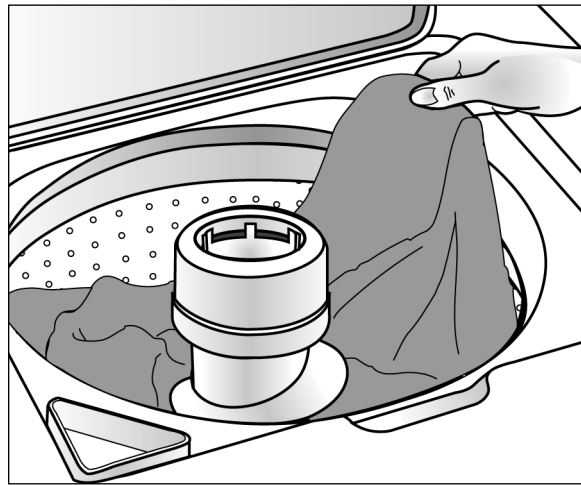
Detergent

- Use either liquid or granular laundry detergent. **For best results, be sure detergent is added to the washer BEFORE the load and be sure wash water is above 65° F.**
- Use the correct amount of detergent for the load size, soil level and water conditions. Use more detergent if you have hard water and very soiled loads.
If you have soft water or a lightly soiled load, use less detergent. (See manufacturer's instructions.)
- Wipe up any detergent spills on the washer.



Loading

- Put dry, unfolded clothes loosely in the tub, up to the top row of holes for a maximum load.
- Do not wrap large items like sheets around the agitator.
- Mix large and small items for best circulation. Wash bulky items like blankets separately.
- When laundering permanent press items or items of delicate construction, washable woolens or loosely knit items, never use less than the MEDIUM water level setting. This will minimize shrinkage, wrinkling and pulling of seams.
- For best results, add the detergent to washtub before adding the load.
- Close lid carefully to avoid slamming.



Additional Tips

- If the washer stops during the spin, it may be due to an unevenly distributed load. If this happens, push in the control knob, open the lid, redistribute the load, close the lid and pull out the control knob. The spin will resume at the point it was interrupted.
- The washer will pause briefly throughout each cycle. These pauses are normal.
- This washer is designed so that it will not agitate or spin when the lid is open. It will, however, fill with the lid open so water is available for pretreating stains or diluting fabric softener.
- If you open the lid during a cycle, the washer will stop. When the lid is closed and the control knob pulled out, the washer will continue the cycle at the point it was interrupted.



Care and Cleaning.....

Turn off the water faucets after finishing the day's washing. This will shut off the water supply to the washer and prevent the unlikely possibility of damage from escaping water.

Use a soft cloth to wipe up all detergent, bleach or other spills as they occur.

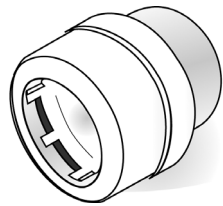
Clean the following as recommended:

Control Panel – clean with a soft, damp cloth and glass cleaner. Do not use abrasive powders or cleaning pads.

Cabinet – clean with soap and water followed with an appliance wax, if desired.

Fabric Softener Dispenser

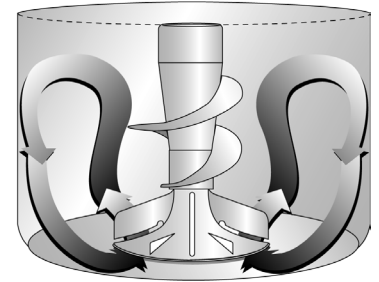
1. Pull the dispenser off of the top of the agitator.
2. Soak for one hour in sink or container in hot water and dishwashing liquid.
3. Hold hands over top and bottom of dispenser and shake to loosen buildup.
4. Rinse with clean, hot water.
5. Repeat process if necessary.
6. Replace dispenser on agitator.



Do not use dishwashing liquid inside the washer. Oversudsing can occur.

Interior – hard water deposits may be removed, if needed, using a recommended cleaner labeled washer safe.

Lint Filter – it is self-cleaning and requires no maintenance. The filter is located under the agitator on the bottom of the washtub. During the wash and rinse portion of the cycle, lint is collected on the filter. Then during the spin and drain the filter is cleaned automatically.



Storing the Washer.....

Washers can be damaged if water is not removed from hoses and internal components before storage. Prepare the washer for storage as follows:

- Select **NORMAL** on the **REGULAR** cycle and add one cup of bleach OR white vinegar to a full load of water without clothes. (Do not mix bleach and vinegar in the same wash. Hazardous fumes can form.) Run the washer through a complete cycle.
- Turn the water faucets off and disconnect the inlet hoses.

- Disconnect the washer from the electrical supply and leave the washer lid open to let air circulate inside the tub.
- If the washer has been stored in below-freezing temperatures, allow time for the washer to thaw out prior to use.
- After storage, select **NORMAL** on the **REGULAR** cycle and run the washer through a complete cycle.



Before You Call.....

For problem laundry solutions (i.e. fabric damage, residue, tangling) and special laundry care procedures, see the enclosed Laundry Tips pamphlet.

Check these points if your washer...

Won't fill

- Plug cord into live electrical outlet.
- Check fuse or reset circuit breaker.
- Turn the control knob to proper cycle and pull knob out to start the washer. If equipped with buttons, be sure they are fully depressed.
- Turn both faucets on fully.
- Straighten inlet hoses.
- Disconnect hoses and clean screens. Hose filter screens may be plugged.

Won't agitate

- Check fuse or reset circuit breaker.
- Make sure lid is completely closed.
- Turn the control knob to proper cycle and pull knob out to start the washer. If equipped with buttons, be sure they are fully depressed.
- Close lid and pull knob out to start the washer. For your safety, washer will not agitate or spin unless the lid is closed.
- The washer is equipped with a lid switch failure detector. If the lid switch should malfunction, the detector will stop operations for your safety. Call for service.

Won't spin or drain

- Unevenly distributed load. Redistribute the load, close the lid and pull knob out. Check for leveling. Be sure water level is acceptable for load size.
- Check fuse or reset circuit breaker.
- Straighten drain hoses. Eliminate kinked hoses. If there is a drain restriction, call for service.
- Close lid and pull knob out to start the washer. For your safety, washer will not agitate or spin unless the lid is closed.
- The washer is equipped with a lid switch failure detector. If the lid switch should malfunction, the detector will stop operations for your safety. Call for service.
- Suds lock – caused by too much suds. Rewash without detergent. Use correct amount of a low-sudsing detergent.

Load is wet

- The washer may have sensed an unevenly distributed load. Redistribute the load in the tub, close the lid and pull the control knob out.
- A normal spin speed is recommended for heavy loads like jeans or towels.

(cont.)



Before You Call (cont.).....

Check these points if your washer...

Stops

- Unevenly distributed load. Redistribute the load, close the lid and pull knob out. Check for leveling. Be sure water level is acceptable for load size.
- Plug cord into live electrical outlet.
- Check fuse or reset circuit breaker.
- Turn the control knob to proper cycle and pull knob out to start the washer.
- Close lid and pull knob out to start the washer. For your safety, washer will not agitate or spin unless lid is closed.
- This may be a pause or soak period in the cycle. Wait briefly and it may start.
- The washer is equipped with a lid switch failure detector. If the lid switch should malfunction, the detector will stop fill operations for your safety. Call for service.

Leaks water

- Make sure hose connections are tight.
- Make sure end of drain hose is correctly inserted and secured to drain facility.
- Avoid extended soaking – soak for 30 minutes or less.
- Avoid overloading.

Is noisy

- Be sure washer is leveled properly as outlined in installation manual.
- Weak floors can cause vibration and walking.
- Be sure rubber feet are installed on leveling legs.
- Operating sounds will vary depending on agitation speed.

Fills with the wrong temperature water

- Turn both faucets on fully.
- If equipped with a temperature selector knob, be sure it is set directly on a temperature setting and not between settings.
- Make sure temperature selection is correct.
- Make sure hoses are connected to correct faucets and inlet connections. Be sure water supply is regulated correctly. Flush water line before filling washer.
- Check the water heater. It should be set to deliver a minimum 120°F (49°C) hot water at the tap. Also check water heater capacity and recovery rate.
- Disconnect hoses and clean screens. Hose filter screens may be plugged.

For further assistance contact Maytag Appliances Sales Company, Maytag Customer Assistance:

U.S. 1-800-688-9900 or Canada 1-800-688-2002

U.S. customers using TTY for deaf, hearing impaired or speech impaired, call 1-800-688-2080.



Notes.....



Clothes Washer Warranty.....

Full One Year Warranty

For one (1) year from the date of original retail purchase, any part which fails in normal home use will be repaired or replaced free of charge.

Limited Warranty

After the first year from date of original retail purchase, through the time periods listed below, the parts designated below which fail in normal home use will be repaired or replaced free of charge for the part itself, with the owner paying all other costs, including labor, mileage and transportation.

Second Year – All parts.

Third through Fifth Year – The drive motor. All parts of the solid state controls (if so equipped).

Third through Tenth Year – All parts of the transmission assembly.

Additional Limited Warranty Against Rust-Through

Should an exterior cabinet, including the top, lid and baseframe, rust through during the one year period starting from the date of retail purchase, repair or replacement will be made free of charge. After the first and through the tenth year, repair or replacement will be made free of charge for the part itself, with the owner paying all other costs, including labor, mileage and transportation.

Please Note: This full warranty and the limited warranty apply when the washer is located in the United States or Canada. Washers located elsewhere are covered by the limited warranty only, including parts which fail during the first two years.

Canadian Residents

This warranty covers only those appliances installed in Canada that have been listed with the Canadian Standards Association unless the appliances are brought into Canada due to transfer of residence from the United States to Canada.

The specific warranties expressed above are the **ONLY** warranties provided by the manufacturer. This warranty gives you specific legal rights, and you may also have other rights that vary from state to state.

To Obtain Warranty Service

To locate an authorized service company in your area contact the Maytag dealer from whom your appliance was purchased; or call Maytag Appliances Sales Company, Maytag Customer Assistance. Should you not receive satisfactory warranty service, please call or write:

Maytag Appliances Sales Company

Attn: CAIR® Center

P.O. Box 2370

Cleveland, TN 37320-2370

U.S. 1-800-688-9900

Canada 1-800-688-2002

U.S. Customers using TTY for deaf, hearing impaired or speech impaired, call 1-800-688-2080.

When contacting Maytag Appliances Sales Company, Maytag Customer Assistance about a service problem, please include the following:

- (a) Your name, address and telephone number;
- (b) Model number and serial number (found on the top edge of the control panel) of your appliance;
- (c) Name and address of your dealer and the date the appliance was purchased;
- (d) A clear description of the problem you are having.
- (e) Proof of purchase.

What is Not Covered by These Warranties:

1. Conditions and damages resulting from any of the following:
 - a. Improper installation, delivery, or maintenance.
 - b. Any repair, modification, alteration or adjustment not authorized by the manufacturer or an authorized servicer.
 - c. Misuse, abuse, accidents or unreasonable use.
 - d. Incorrect electric current, voltage or supply.
 - e. Improper setting of any control.
2. Warranties are void if the original serial numbers have been removed, altered, or cannot be readily determined.
3. Products purchased for commercial or industrial use.
4. The cost of service or service call to:
 - a. Correct installation errors.
 - b. Instruct the user on proper use of the product.
 - c. Transport the appliance to the servicer.
5. Consequential or incidental damages sustained by any person as a result of any breach of these warranties.

Some states do not allow the exclusion or limitation of consequential or incidental damages, so the above exclusion may not apply.

User's Guides, service manuals and parts catalogs are available from Maytag Appliances Sales Company, Maytag Customer Assistance.



GUIDE DE L'UTILISATEUR

Table des matières

Bienvenue	13
Mesures de sécurité	14
Commandes en bref	15-16
Fonctions spéciales.....	17
Fonctionnement.....	18
Entretien.....	19
Remisage de la machine	19
Avant d'appeler.....	20-21
Garantie	23
Guía del usuario	24

*GARDER CES INSTRUCTIONS
POUR RÉFÉRENCE ULTÉRIEURE*

Bienvenue

Toutes nos félicitations pour avoir choisi une machine à laver Maytag ! Il est très important pour nous que vous en soyez satisfait.

Pour de meilleurs résultats, nous vous conseillons de lire ce manuel. Vous y trouverez des renseignements qui vous aideront à comprendre les procédures de fonctionnement et d'entretien de la machine.

Vous trouverez également dans l'emballage de votre machine un guide de *Conseils de blanchissage*. Il contient des renseignements sur les meilleures méthodes de blanchissage ainsi que sur l'enlèvement des taches et sur certains problèmes de blanchissage.



Économisez temps et argent. Si votre machine ne fonctionne pas correctement, nous vous recommandons de consulter la section «Avant d'appeler le service de dépannage», qui est spécialement conçue pour aider à résoudre des problèmes de base avant de consulter un service de dépannage.

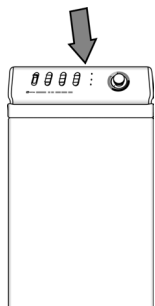
Si, cependant, vous avez besoin de dépannage, il sera utile :

- 1) Conservez les numéros de modèle et de série complets de votre machine à laver. Ceux-ci sont indiqués sur une plaque signalétique située sur le bord gauche arrière du tableau de commande. Veuillez noter ces numéros pour les avoir à portée de main.

Numéro de modèle

Numéro de série

La date d'origine



Ce qu'il faut savoir à propos des consignes de sécurité

Les consignes de sécurité et les mises en garde présentées dans ce manuel ne couvrent pas toutes les situations possibles. Faire preuve de jugement, de prudence et d'attention lors de l'installation, de l'entretien et de l'utilisation du propriétaire.

Lorsque survient un problème ou une situation inhabituelle, toujours communiquer avec le détaillant, le distributeur, le technicien agréé ou le fabricant.

- 2) **IMPORTANT :** Conservez ce guide et le coupon de caisse dans un endroit sûr pour référence ultérieure. Une preuve de l'achat d'origine est exigée pour toutes prestations de garantie.

Pour toutes questions additionnelles, veuillez nous contacter :

Maytag Appliances Sales Company
Attn: CAIR® Center
P.O. Box 2370
Cleveland, TN 37320 États-Unis
1-800-688-2002 CANADA
(Du lundi au vendredi, 8 h à 8 h, heure de l'est)
Internet : <http://www.maytag.com>

Pour tous renseignements relatifs au service après-vente et à la garantie, veuillez vous référer au dos de ce manuel.

REMARQUE : En raison de nos efforts constants d'amélioration de la qualité de nos appareils électroménagers, il se peut qu'une machine à laver soit modifiée sans que le guide soit révisé.

Reconnaissez les étiquettes, phrases ou symboles sur la sécurité

AVERTISSEMENT

AVERTISSEMENT – Risques ou pratiques non sûres, qui **POURRAIENT** résulter en de graves blessures ou même la mort.

ATTENTION

ATTENTION – Risques ou pratiques non sûres qui **POURRAIENT** résulter en blessures mineures.

Mesures de sécurité importantes

⚠ AVERTISSEMENT : Pour réduire les risques d'incendie, d'explosion, d'électrocution ou des blessures lors de l'utilisation de cet appareil, suivre les précautions d'usage, dont les suivantes :

1. Lire toutes les instructions avant d'utiliser la machine.
2. Comme avec tout équipement fonctionnant à l'électricité et comportant des pièces mobiles, il existe toujours des possibilités de danger. Pour utiliser cette machine dans les meilleures conditions de sécurité, l'opérateur doit se familiariser avec les instructions de fonctionnement de l'appareil et user de prudence pendant son utilisation.
3. Ne pas installer ni remiser la machine dans un endroit où elle est exposée aux intempéries.
4. Installer la machine et la mettre de niveau sur un plancher pouvant supporter son poids.
5. Cet appareil doit être correctement mis à la terre. Ne jamais brancher le câble électrique d'une machine à laver sur une prise murale non mise à la terre conformément aux codes locaux et nationaux. Voir les instructions d'installation pour la mise à la terre de cette machine.
6. Pour éviter les risques d'incendie ou d'explosion :
 - a. Ne pas laver d'articles qui ont auparavant été nettoyés ou lavés à l'aide d'essence, de solvants de nettoyage à sec ou d'autres produits explosifs ou inflammables, ou qui en sont imbibés ou éclaboussés, car ces substances produisent des vapeurs qui peuvent s'enflammer ou exploser. Laver à la main et sécher à l'air tout article contenant ces substances.

Tout tissu sur lequel des solvants de nettoyage ont été utilisés ou qui sont saturés de liquides ou solides inflammables ne doit pas être mis dans la machine à laver avant que toute trace et toute vapeur de ces liquides ou solides ne soient complètement éliminées.

Ces produits comprennent l'acétone, l'alcool dénaturé, l'essence, le kérosène, certains produits de nettoyage ménagers, les détachants, la térébenthine, les cires et les décapants de cire.
 - b. Ne pas ajouter d'essence, de solvants de nettoyage à sec ou toute autre substance inflammable ou explosive à l'eau de lavage. Ces substances produisent des vapeurs qui pourraient s'enflammer ou exploser.
 - c. Dans certaines conditions, il peut y avoir production d'hydrogène dans un système de chauffage d'eau qui n'est pas utilisé pendant 2 semaines ou plus. L'HYDROGÈNE EST UN EXPLOSIF. Si votre système de chauffage d'eau n'est pas utilisé sur une telle durée, ouvrir tous les robinets d'eau chaude et laisser couler l'eau pendant plusieurs minutes avant d'utiliser votre machine à laver ou votre ensemble machine à laver-sècheuse. Ceci élimine toute accumulation d'hydrogène. Ce gaz étant inflammable, ne pas fumer ni utiliser de flamme vive pendant ces quelques minutes.
7. Ne pas mettre la main ou le bras dans la machine si l'agitateur ou cuve est en mouvement.
8. Ne pas permettre aux enfants ou aux animaux familiers de jouer sur l'appareil, à l'intérieur ou en face de celui-ci. Une supervision étroite est nécessaire lorsque l'appareil est utilisé à proximité d'enfants ou d'animaux familiers.
9. Ne pas modifier les mécanismes de commande.
10. Ne pas réparer ou remplacer une pièce de la machine ou procéder à un dépannage, sauf si les instructions publiées le recommandent et que la personne effectuant la réparation les comprend et possède les connaissances voulues pour les exécuter.
11. Débrancher la machine de la prise de courant avant toute réparation.
12. L'agitateur ne doit pas être retiré. S'il est retiré, le replacer en l'enfonçant à fond, puis serrer la vis de blocage avant de faire fonctionner la machine.
13. Mettre les produits pour la lessive et autres substances dans un endroit frais et sec où les enfants n'ont pas accès.
14. Ne pas laver ni sécher des articles imprégnés d'huile végétale ou de cuisson. Il pourrait y rester de l'huile après lavage, et ils pourraient fumer ou s'enflammer.
15. Ne pas mélanger de javellisant et d'ammoniaque ou d'acides (tels que du vinaigre ou du produit pour enlever la rouille) pour une même charge de linge. Des vapeurs nocives peuvent se former.
16. Ne pas laver d'articles en fibre de verre à la machine. De petites particules peuvent se coller sur le linge lavé par la suite et provoquer des irritations cutanées.
17. Avant de mettre la machine hors service ou au rebut, retirer la porte du compartiment de lavage.
18. Les tuyaux d'alimentation se détériorent progressivement. Inspecter les tuyaux à intervalle régulier; rechercher dilatations, écrasements, coupures, fuites et indices d'usure. Remplacer les tuyaux après 5 ans de service.

Conserver ces instructions



Commandes en bref.....

Étape 1 Sélectionner le cycle

(Les fonctions peuvent varier en fonction du modèle.)

Appuyer sur le sélecteur et le tourner dans le sens des aiguilles d'une montre sur le cycle désiré. Tirer dessus pour mettre la machine en marche.

DELICATES (articles fragiles) —

Convient aux articles qui exigent un lavage doux. Cycles disponibles :

NORMAL — Durée de lavage d'environ 10 à 12 minutes

LIGHT (linge peu sale) — Durée de lavage d'environ 7 à 9 minutes

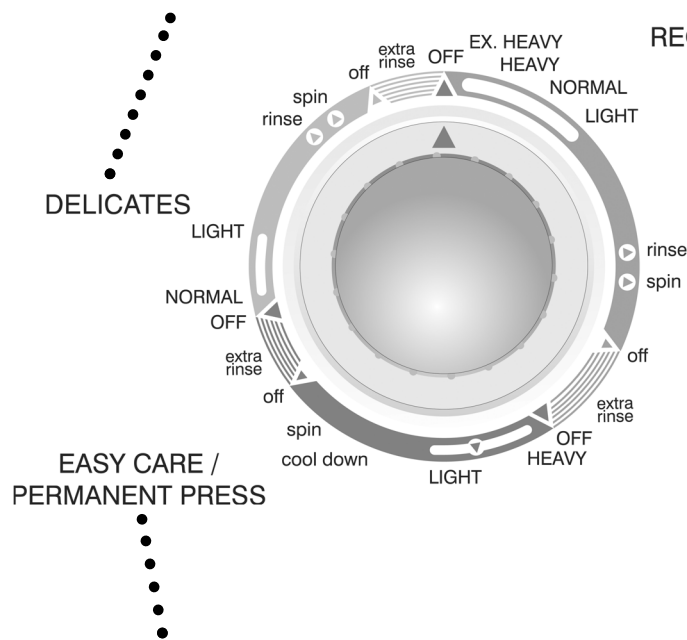
REGULAR (linge normal) — S'utilise pour le linge normalement sale, les tissus épais. Cycles disponibles :

EXTRA HEAVY (gros linge) (modèles sélectionnés) — Durée de lavage d'environ 16 à 18 minutes

HEAVY (linge très sale) — Durée de lavage d'environ 14 à 18 minutes

▼ **(NORMAL)** — Durée de lavage d'environ 10 à 13 minutes

LIGHT (linge peu sale) — Durée de lavage d'environ 7 à 9 minutes



EASY CARE/PERMANENT PRESS (pli permanent)

— Conçu pour réduire le froissement, rince le linge avec un jet d'eau froide à la fin du lavage. Cycles disponibles :

HEAVY (linge très sale) — Durée de lavage d'environ 10 à 14 minutes

▼ **(NORMAL)** — Durée de lavage d'environ 7 à 9 minutes

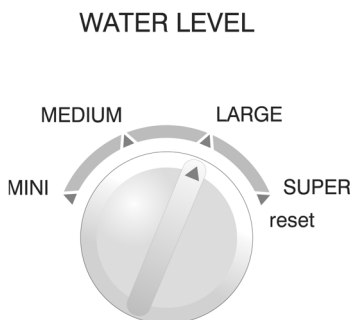
LIGHT (linge peu sale) — Durée de lavage d'environ 5 à 6 minutes

Étape 2 Sélectionner le niveau d'eau (Les fonctions peuvent varier en fonction du modèle.)

Mettre le sélecteur **WATER LEVEL** (niveau d'eau) sur le réglage correspondant à la charge de linge.

Certains modèles offrent un réglage à l'infini. Choisir un réglage spécifique ou tout point entre deux.

Pour ajouter de l'eau à la fin du remplissage, régler le sélecteur sur la position «reset» (nouveau réglage), puis le positionner face au réglage désiré.

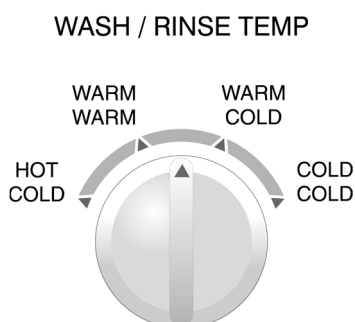


NIVEAU D'EAU	CHARGE
Super	3/4 – Plein
Large (Grand)	1/2 – 3/4
Medium (Moyen)	1/3 – 1/2
Mini	1/4

NE PAS OUBLIER : Pour des résultats optimaux, les articles doivent pouvoir circuler librement.

Étape 3 Sélectionner la température

Tourner le sélecteur **WASH/RINSE** (lavage/rinçage) sur les températures d'eau désirées. Pour des résultats optimaux, suivre les indications de l'étiquette du vêtement. Utiliser le tableau ci-contre comme guide.



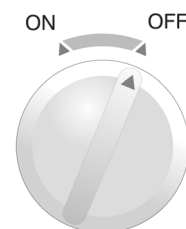
TEMPÉRATURE DE LAVAGE/RINÇAGE	TYPE DE LINGE
Hot/Cold (chaud/froid)	Blanc et couleurs très sales
Warm/Warm (tiède/tiède) (modèles sélectionnés)	Articles fragiles
Warm/Cold (tiède/froid)	Couleurs modérément sales ; la plupart des articles à pli permanent
Cold/Cold (froid/froid)	Articles peu sales de couleur vive ; lainages lavables

NE PAS OUBLIER : Si la température de lavage est inférieure à 18° C (65° F), le détergent ne dissout ni ne nettoie correctement. Les étiquettes d'entretien définissent une eau froide comme étant à 29,5° C (85° F).

Étape 4 Sélectionner les options (si désiré) (modèles sélectionnés)

OPTION	USAGE
Extra Rinse (Rinçage Suppl.) (modèles sélectionnés)	Assure un rinçage additionnel à la fin du cycle pour enlever plus complètement les additifs pour la lessive, la mousse, le parfum, etc.

EXTRA RINSE



Étape 5 Mettre la machine en marche

- Pour mettre du détergent et des additifs.
- Mettre le linge et fermer le couvercle.
- Tirer sur le sélecteur pour mettre la machine en marche.



Fonctions spéciales.....

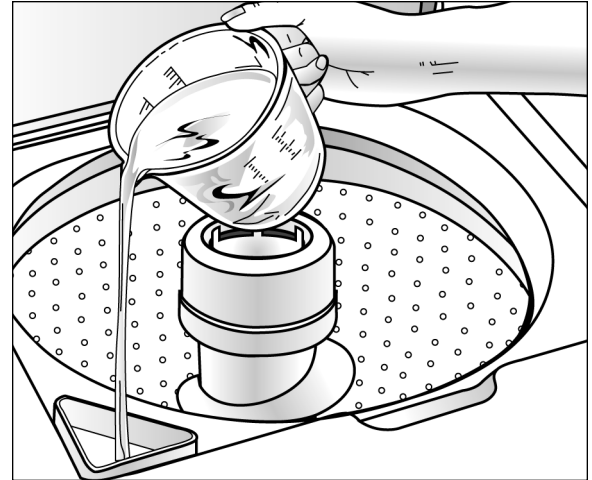
Distributeur de javellisant *(modèles sélectionnés)*

Le distributeur dilue automatiquement le javellisant liquide avant qu'il atteigne le linge. Pour l'utiliser, procéder comme suit :

1. Mesurer la quantité de javellisant liquide avec soin en suivant les instructions sur le récipient.
2. Verser le javellisant dans le distributeur avant d'ajouter le linge. Éviter les éclaboussures ou le débordement du distributeur.

REMARQUE :

- Ne jamais verser de javellisant liquide non dilué directement sur le linge ou dans la cuve. Ce produit chimique est puissant et peut endommager les tissus, en les déchirant ou décolorant, s'il n'est utilisé correctement.
- Lorsqu'un javellisant sans chlore et sans danger pour les couleurs est utilisé, le verser dans la cuve avec le détergent. Ne pas verser d'agent de blanchiment sans chlore dans le distributeur de javellisant.



Verser le javellisant liquide dans le distributeur de javellisant.

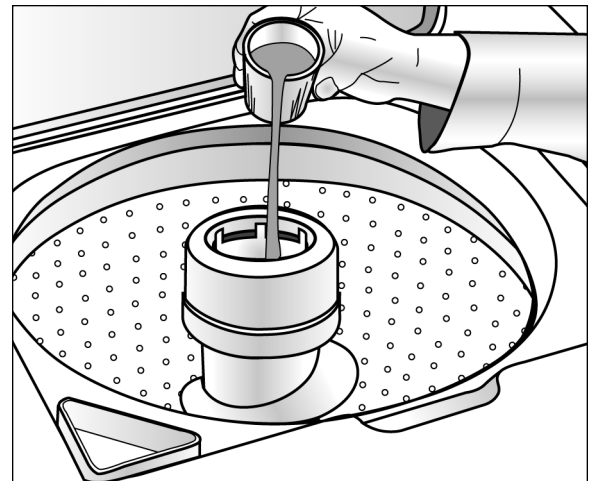
Distributeur d'assouplissant

Ce distributeur ajoute l'assouplissant liquide au moment voulu du cycle. Pour l'utiliser, procéder comme suit :

1. Verser la quantité voulue de liquide dans le godet, jusqu'au repère de remplissage seulement.
2. Si le liquide n'atteint pas le repère, ajouter de l'eau tiède.

REMARQUE :

- Ne pas arrêter la machine durant le premier essorage. Le distributeur se viderait trop tôt.
- Ne jamais verser d'assouplissant directement sur le linge. Il laisserait des traînées et des taches.
- Utiliser le distributeur pour l'assouplissant liquide uniquement.



Verser l'assouplissant liquide dans le godet et diluer avec de l'eau tiède.

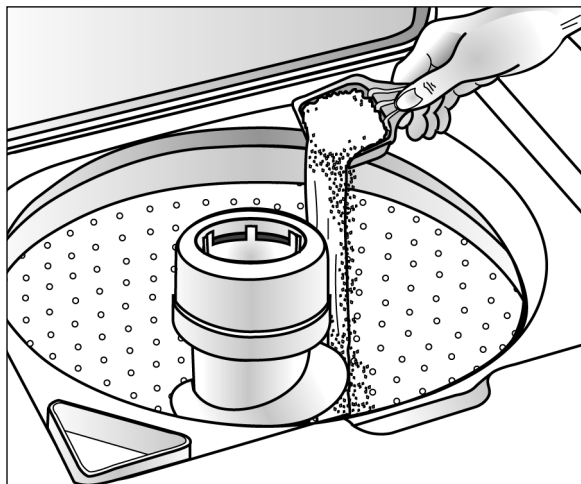


Fonctionnement.....

Pour de plus amples renseignements concernant le triage, le pré-traitement des taches, etc., consulter le Conseils de blanchissage inclus.

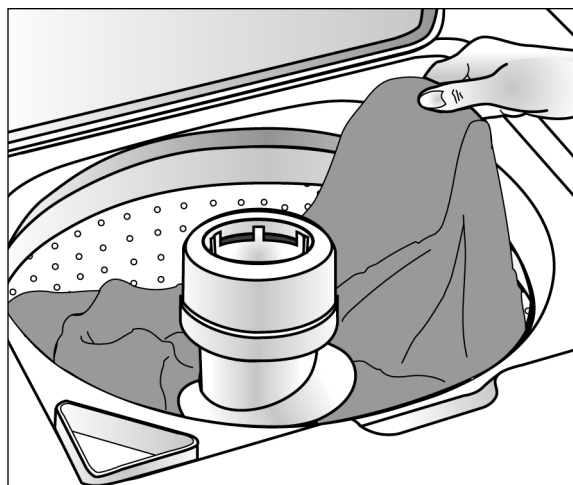
Détergent

- Utiliser du détergent liquide ou en poudre. **Pour des résultats optimaux, ajouter suffisamment de détergent dans la machine AVANT de la remplir et régler la température de l'eau à plus de 18° C (65° F).**
- Utiliser la quantité de détergent qui convient à la charge, au degré de saleté et à la dureté de l'eau. Utiliser plus de détergent si l'eau est dure et que la charge est très sale.
Si l'eau est douce ou que la charge est peu sale, utiliser moins de détergent. (Voir les instructions du fabricant.)
- Essuyer la machine si elle se trouve éclaboussée de détergent.



Chargement

- Mettre le linge sec, non plié sans le tasser dans la machine, en remplissant le panier jusqu'au rang supérieur de trous pour une charge maximum.
- Ne pas enrouler de grands articles tels que des draps autour de l'agitateur.
- Pour une meilleure circulation, mélanger les petits et les grands articles. Laver les articles volumineux comme les couvertures séparément.
- Le blanchissage des articles à pli permanent ou délicats, des lainages lavables ou des tricotés, nécessite une quantité d'eau supérieure au niveau MEDIUM (moyen). Cela empêche les vêtements de rétrécir, de se froisser ou de se découdre.
- Pour des résultats optimaux, mettre du détergent dans la cuve avant d'ajouter le linge.
- Refermer soigneusement le couvercle pour qu'il ne claque pas.



Conseils supplémentaires

- Si la machine à laver s'arrête pendant l'essorage, la charge peut être déséquilibrée. Si cela se produit, pousser sur le sélecteur, ouvrir le couvercle, rééquilibrer la charge, fermer le couvercle et tirer sur le sélecteur. L'essorage reprend au point où il s'était interrompu.
- Cette machine effectue des pauses à plusieurs reprises au cours d'un cycle de lavage. Ces pauses momentanées font partie de son fonctionnement normal.
- Cette machine à laver est conçue de telle façon que tout essorage ou agitation s'arrête quand le couvercle est soulevé. Elle ne s'arrête cependant pas pendant le remplissage, permettant l'accès à l'eau pour prétraiter les taches ou diluer l'assouplisseur.
- Si le couvercle est ouvert au cours d'un cycle, la machine s'arrête. Une fois le couvercle fermé et le sélecteur tiré, le cycle reprend là où il avait été interrompu.



Entretien.....

Couper l'arrivée d'eau en fermant les robinets, une fois la lessive terminée pour la journée, pour éviter toute possibilité de dégâts dus à une fuite d'eau, aussi improbable soit-elle.

Utiliser un linge doux pour essuyer tout détergent, javellisant ou autre dès qu'il se trouve répandu ou éclaboussé sur la machine.

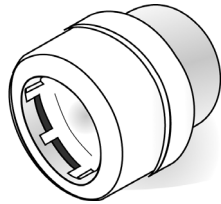
Nettoyer les éléments suivants tel qu'indiqué :

Tableau de commande : Nettoyer avec un linge doux et humide et du nettoyeur pour vitres. Ne pas utiliser de poudres abrasives ni de tampons nettoyeurs.

Carrosserie : Nettoyer au savon et à l'eau, puis, si désiré, appliquer de la cire pour appareils électroménagers.

Distributeur d'assouplissant

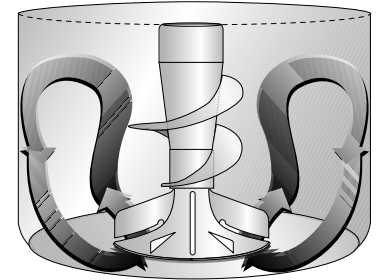
1. Retirez le distributeur de l'appareil.
2. Le tremper pendant une heure dans l'évier ou dans un récipient dans une solution d'eau chaude et de détergent liquide pour la vaisselle.
3. Mettez les mains sur le dessus et le dessous du distributeur et secouez-le, pour détacher l'accumulation des côtés du distributeur.
4. Le rincer à l'eau chaude.
5. Répétez au besoin le processus.
6. Remettre le distributeur sur l'agitateur.



N'utilisez pas de liquide pour la vaisselle à l'intérieur de la laveuse, il y aurait risqué d'un excès de mousse.

Intérieur : Les dépôts dus à l'eau dure peuvent, s'il y a lieu, être éliminés en utilisant un produit nettoyant dont l'étiquette indique qu'il convient à une machine à laver.

Filtre à charpie : Ces filtres sont autonettoyants et n'exigent aucun entretien. Ils se trouvent sous l'agitateur, au fond de la cuve. Pendant l'étape lavage et rinçage du cycle, la charpie se dépose sur les filtres. Celle-ci est automatiquement éliminée au cours de la vidange et de l'essorage.



Remisage de la machine à laver.....

La machine risque d'être endommagée si l'eau qui se trouve à l'intérieur ainsi que dans les boyaux n'est pas évacuée avant de la remiser. Voici la marche à suivre pour préparer le remisage de la machine :

- Sélectionner NORMAL avec un cycle REGULAR (normale) et ajouter une tasse de javellisant OU de vinaigre blanc par charge complète d'eau, sans ajouter de linge. (Ne pas mélanger de javellisant et de vinaigre pour une même charge de linge. Des vapeurs nocives peuvent se former.) Faire fonctionner la machine à laver pendant un cycle complet.

- Fermer les robinets d'eau et détacher les tuyaux d'arrivée.
- Débrancher la machine et laisser le couvercle ouvert pour que l'air circule dans la cuve.
- Si la laveuse a été rangée à des températures en dessous du gel, laisser la laveuse revenir à une température ambiante avant de l'utiliser.
- Après le rangement, sélectionner NORMAL pour le cycle REGULAR (linge normal) et faire fonctionner la machine pendant un cycle complet.



Avant d'appeler

Pour des solutions aux problèmes de lessive (tissus abîmés, résidus, linge emmêlé, par exemple) et des méthodes spéciales d'entretien du linge, voir le livret «Conseils de blanchissage» inclus.

Vérifier ces points si la machine...

Ne se remplit pas

- Brancher la machine sur une prise murale sous tension.
- Vérifier le fusible ou réenclencher le disjoncteur.
- Mettre le sélecteur sur le cycle voulu et tirer dessus pour le mettre en position de marche. Si la machine est dotée de touches, s'assurer qu'elles sont poussées à fond.
- Ouvrir les deux robinets à fond.
- Redresser les boyaux d'arrivée.
- Débrancher les boyaux et nettoyer les filtres. Les filtres des boyaux pourraient être bouchés.

Ne produit pas d'agitation

- Vérifier le fusible ou réenclencher le disjoncteur.
- S'assurer que le couvercle est bien fermé.
- Mettre le sélecteur sur le cycle voulu et tirer dessus pour le mettre en position de marche. Si la machine est dotée de touches, s'assurer qu'elles sont poussées à fond.
- Fermer le couvercle et tirer sur le sélecteur. Pour des raisons de sécurité, l'agitation et l'essorage ne fonctionnent pas si le couvercle est ouvert.
- La machine est dotée d'un détecteur de panne de l'interrupteur du couvercle. Si l'interrupteur ne fonctionne plus, le détecteur arrête la machine pour votre sécurité. Appeler le service après-vente.

N'essore pas, ne se vidange pas

- La charge est déséquilibrée. Redistribuer le linge, fermer le couvercle et tirer sur le sélecteur. Vérifier que la machine est de niveau. S'assurer que le niveau d'eau choisi est suffisant pour la quantité de linge lavée.
- Vérifier le fusible ou réenclencher le disjoncteur.
- Redresser les boyaux. Éliminer les boyaux ne pouvant plus être redressés. Si l'évacuation est bouchée, appeler le service après-vente.
- Fermer le couvercle et tirer sur le sélecteur. Pour des raisons de sécurité, l'agitation et l'essorage ne fonctionnent pas si le couvercle est ouvert.
- La machine est dotée d'un détecteur de panne de l'interrupteur du couvercle. Si l'interrupteur ne fonctionne plus, le détecteur arrête la machine pour votre sécurité. Appeler le service après-vente.
- Blocage causé par une quantité trop abondante de mousse. Relaver sans détergent. Utiliser une quantité correcte de détergent à mousse réduite.

Linge mouillé

- La machine peut avoir détecté une répartition non uniforme de la charge. Mieux répartir la charge dans la cuve, fermer le couvercle et tirer sur le bouton de commande.
- Une vitesse d'essorage normal est recommandée pour du linge lourd comme jeans et serviettes.



Avant d'appeler (suite)

Vérifier ces points si la machine...

S'arrête

- La charge est déséquilibrée. Redistribuer le linge, fermer le couvercle et tirer sur le sélecteur. Vérifier que la machine est de niveau. S'assurer que le niveau d'eau choisi est suffisant pour la quantité de linge lavée.
- Brancher la machine sur une prise murale sous tension.
- Vérifier le fusible ou réenclencher le disjoncteur.
- Mettre le sélecteur sur le cycle voulu et tirer dessus pour le mettre en position de marche.
- Fermer le couvercle et tirer sur le sélecteur. Pour des raisons de sécurité, l'agitation et l'essorage ne fonctionnent pas si le couvercle est ouvert.
- C'est peut-être simplement une pause ou une phase de trempage du cycle de lavage. Attendre quelques minutes ; il est possible que la machine se remette en marche.
- La machine est dotée d'un détecteur de panne de l'interrupteur du couvercle. Si l'interrupteur ne fonctionne plus, le détecteur arrête la machine pour votre sécurité. Appeler le service après-vente.

Fuit

- Vérifier que les raccords des boyaux sont bien serrés.
- S'assurer que l'extrémité du boyau d'évacuation est insérée correctement et bien fixée sur le système d'évacuation.
- Trempage prolongé ; faire tremper 30 minutes maximum.
- Éviter de trop mettre de linge.

Est bruyante

- Vérifier que la machine a été mise de niveau tel qu'indiqué dans le manuel de mise en service.
- Les planchers peu solides peuvent produire des vibrations et le déplacement de la machine.
- S'assurer que les pieds réglables sont équipés d'embouts en caoutchouc.
- Des bruits de fonctionnement varient selon la vitesse de l'agitation.

Se remplit d'eau à une température incorrecte

- Ouvrir les deux robinets à fond.
- Si la machine est dotée d'un sélecteur de température, vérifier que celui-ci est bien placé sur une température et non pas entre deux réglages.
- S'assurer que la température sélectionnée est la bonne.
- S'assurer que les boyaux sont raccordés aux robinets et raccords d'arrivée d'eau voulus. S'assurer que l'alimentation en eau est correctement réglée. Faire passer de l'eau sous forte pression dans les conduites avant de remplir la machine à laver.
- Vérifier le chauffe-eau. Il doit être réglé pour assurer une eau chaude à 49° C (120° F) au robinet. Également vérifier la capacité du chauffe-eau et sa rapidité de chauffage une fois qu'il a été vidé.
- Déconnecter les boyaux et nettoyer les filtres. Les filtres des boyaux pourraient être bouchés.

Pour toute assistance technique, communiquer avec Maytag Appliances Sales Company,
Service-clients Maytag : au Canada : 1-800-688-2002



Remarques



Garantie de la machine à laver

Garantie totale d'un an

Pendant un (1) an à partir de la date de l'achat d'origine, toute pièce qui vient à être défectueuse dans des conditions normales d'utilisation ménagère sera réparée ou remplacée gratuitement.

Garantie limitée

Après la première année suivant la date de l'achat d'origine et pendant les périodes de temps énumérées ci-dessous, les pièces indiquées ci-après qui viennent à être défectueuses dans des conditions normales d'utilisation ménagère seront réparées ou remplacées gratuitement en ce qui concerne la pièce elle-même, le client prenant à sa charge les autres frais, y compris les frais de main-d'oeuvre, de déplacement et de transport.

Deuxième année : Toutes les pièces.

De la troisième à la cinquième année : Le moteur. Toutes les commandes à circuits intégrés (si la machine en est équipée).

De la troisième à la dixième année : Toutes les pièces de l'ensemble de transmission.

Garantie limitée additionnelle contre la rouille à coeur

Si la carrosserie extérieure, dessus et socle compris, rouille à coeur au cours de la première année suivant la date de l'achat d'origine, elle sera réparée ou remplacée gratuitement. Après la première année et jusqu'à la fin de la dixième année, elle sera réparée ou remplacée gratuitement en ce qui concerne la pièce elle-même, tous autres frais, y compris ceux de main-d'oeuvre, de déplacement et de transport, étant à la charge du client.

À noter : Cette garantie totale et la garantie limitée s'appliquent quand la machine se trouve aux États-Unis ou au Canada. Si elle se trouve dans une autre partie du monde, elle n'est couverte que par la garantie limitée, y compris en ce qui concerne les pièces se révélant défectueuses au cours de la première deux années.

Résidents canadiens

Cette garantie ne couvre que les appareils électroménagers mis en service au Canada et homologués par des organismes de vérification appropriés ou certifiés conformes aux directives de l'Association canadienne de normalisation, sauf en ce qui concerne les appareils transférés au Canada à la suite d'un changement de résidence à partir des États-Unis.

Les garanties spécifiques ci-dessus sont les SEULES garanties accordées par le fabricant. Cette garantie vous donne des droits juridiques spécifiques et vous pouvez également bénéficier d'autres droits qui varient d'une province à l'autre.

Pour obtenir les prestations de garantie

Pour localiser une entreprise de service après-vente agréé Maytag dans votre région, contacter le concessionnaire MAYTAG où la machine a été achetée ou appeler Maytag Appliances Sales Company le service-clients Maytag. Si les prestations de garantie obtenues ne vous donnent pas satisfaction, contacter ce service par courrier ou par téléphone:

Maytag Appliances Sales Company
Attn: CAIR® Center
P.O. Box 2370
Cleveland, TN 37320 États-Unis **Canada 1-800-688-2002**

REMARQUE : Quand vous écrivez au sujet d'un problème non résolu, veuillez inclure les renseignements suivants :

- (a) Vos nom, adresse et numéro de téléphone ;
- (b) Les numéros de modèle et de série de votre machine (sur la plaque signalétique sur le bord gauche arrière du tableau de commande) ;
- (c) Les nom et adresse du concessionnaire ainsi que la date d'achat de l'appareil ;
- (d) Une description claire du problème rencontré ;
- (e) Date de la preuve d'achat (bon de caisse).

Ne sont pas couverts par ces deux garanties :

1. Les problèmes et dommages résultant des situations suivantes:
 - a. Installation, livraison ou entretien défectueux.
 - b. Toute réparation, modification, altération ou ajustement non autorisé par le fabricant ou un prestataire de service après-vente agréé.
 - c. Usage inapproprié, abusif, déraisonnable ou accidents.
 - d. Alimentation électrique ou tension incorrectes.
 - e. Réglage inapproprié de toute commande.
 2. Les garanties sont annulées si les numéros de série d'origine ont été enlevés, modifiés ou ne peuvent être déterminés facilement.
 3. Appareils achetés à des fins commerciales ou industrielles.
 4. Les frais de dépannage ou de visite pour:
 - a. Corriger des erreurs d'installation.
 - b. Enseigner au consommateur comment utiliser son appareil correctement.
 - c. Assurer le transport de l'appareil jusqu'à l'entreprise de service après-vente.
 5. Dommages indirects ou accessoires supportés par toute personne à la suite d'une quelconque violation de garantie.
- Certain états ne permettent pas l'exclusion ou la limitation de responsabilité en ce qui concerne les dommages indirects, et l'exclusion ci-dessus peut ne pas s'appliquer à votre cas.

Guide de l'utilisateur, manuels de dépannage et catalogues de pièces détachées sont disponibles auprès Maytag Appliances Sales Company, du service-clients Maytag.

A black and white photograph of a water splash, with a single drop creating ripples in the upper left and a larger splash in the center. The background is a gradient of light to dark.

GUÍA DEL USUARIO

Tabla de materias

Bienvenida	25
Instrucciones importantes de seguridad .	26
Descripción de los controles	27-28
Características especiales.	29
Sugerencias para la operación	30
Cuidado y limpieza	31
Almacenamiento de la lavadora	31
Antes de llamar	32-33
Garantía.	Ultima página

*CONSERVE ESTAS INSTRUCCIONES
PARA REFERENCIA FUTURA*

Bienvenida

¡Felicitaciones por la compra de su lavadora de ropa Maytag! Su satisfacción es muy importante para nosotros.

Lea este manual para obtener los mejores resultados. El manual contiene las instrucciones para operar adecuadamente la lavadora y los procedimientos para su mantenimiento.

Además, con su lavadora encontrará la guía *Laundering Tips (Sugerencias para el lavado de la ropa)*. Esta guía contiene procedimientos que se recomiendan para lavar la ropa, quitar manchas y algunas situaciones especiales.



Ahorre tiempo y dinero. Si tiene algún problema, le sugerimos que primero consulte la sección “Antes de llamar”. Esta sección se preparó para ayudarle a resolver problemas básicos antes de consultar a un técnico de servicio.

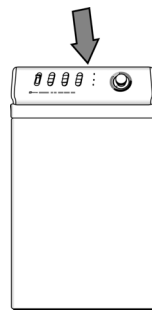
No obstante, si necesita asistencia en el futuro, es útil:

- 1) Tenga el número completo del modelo y de serie de su lavadora. Se encuentran en una placa de datos en el borde trasero izquierdo del panel de control. Anote estos números a continuación para su fácil acceso.

Número de modelo

Número de serie

Date d'achat



Ahora debe conocer las instrucciones de seguridad

Las advertencias y las instrucciones importantes de seguridad que aparecen en este manual no tienen el propósito de cubrir todas las condiciones posibles que podrían ocurrir. Debe usarse sentido común, precaución y cuidado cuando se instale, se presente mantenimiento o se opere el electrodoméstico.

Siempre comuníquese con el distribuidor, concesionario, agente de servicio o fabricante para los asuntos relacionados con problemas o condiciones que no entienda.

- 2) **IMPORTANTE: Mantenga esta guía y el recibo de venta en un lugar seguro para referencia futura. Se requiere prueba de la compra original para recibir servicio bajo la garantía.**

Si tiene preguntas, escríbanos, o llame al teléfono que se indica a continuación:

Maytag Appliances Sales Company
Attn: CAIR® Center
P.O. Box 2370
Cleveland, TN 37320-2370
1-800-688-9900 USA
1-800-688-2002 CANADA
1-800-688-2080 USA TTY (De lunes a viernes, de las 8 a.m. a las 8 p.m. hora del Este)
Internet: <http://www.maytag.com>

Pour tous renseignements relatifs au service après-vente et à la garantie, veuillez vous référer au dos de ce manuel.

NOTA: En nuestro esfuerzo continuo para mejorar la calidad de nuestros aparatos, puede ser necesario hacer cambios a la secadora sin corregir esta guía.

Reconozca los símbolos de seguridad, advertencias, etiquetas

⚠ ADVERTENCIA

ADVERTENCIA – Peligros o prácticas no seguras que **PODRIAN** causar lesión personal grave o mortal.

⚠ PRECAUCIÓN

PRECAUCIÓN – Peligros o prácticas no seguras que **PODRIAN** causar lesión personal menos grave.

Instrucciones importantes de seguridad

⚠️ ADVERTENCIA: Para reducir el riesgo de incendio, explosión, descarga eléctrica o lesiones personales al usar su lavadora, siga las precauciones básicas de seguridad, entre ellas las siguientes:

1. Lea todas las instrucciones antes de usar el aparato.
2. Al igual que con cualquier equipo que usa electricidad y que tiene partes móviles, existen peligros potenciales. Para usar este aparato en forma segura, el operador debe familiarizarse con las instrucciones de funcionamiento del aparato y siempre debe ser cuidadoso cuando lo use.
3. No instale ni guarde este aparato en donde esté expuestos a la intemperie.
4. Instale y nivele la lavadora en un piso que pueda soportar el peso.
5. Este aparato debe estar conectado a tierra apropiadamente. Nunca conecte el cordón eléctrico del aparato en un tomacorriente que no esté adecuadamente conectado a tierra y en conformidad con los códigos locales y nacionales. Vea las instrucciones de instalación de la conexión a tierra de este aparato.
6. Para evitar la posibilidad de incendio o explosión:
 - a. No lave artículos que previamente se hayan limpiado, lavado, remojado o salpicado con gasolina, solventes de lavado en seco, otras sustancias inflamables o explosivas ya que emiten vapores que podrían encenderse o explotar. Lave a mano y seque al aire libre los artículos que contengan estas sustancias.

Los materiales en los que haya usado un solvente para limpiar, o el cual esté saturado con líquidos o sólidos inflamables, no deben colocarse en la lavadora hasta que todos los residuos de estos líquidos o sólidos y sus vapores se hayan eliminado completamente.

Estos artículos incluyen la acetona, el alcohol desnaturalizado, la gasolina, el queroseno, algunos limpiadores líquidos domésticos, algunos tipos para quitar manchas, turpentina, ceras y quita ceras.
 - b. No le añada al agua de lavado gasolina, solventes para lavar en seco ni otras sustancias inflamables o explosivas. Estas sustancias emiten vapores que pueden encenderse o explotar.
 - c. Bajo ciertas condiciones, se puede producir gas de hidrógeno en un sistema de agua caliente que no se haya usado por dos semanas o más. **EL GAS DE HIDRÓGENO ES EXPLOSIVO.** Si no se ha usado el sistema de agua caliente durante tal período de tiempo, antes de usar la lavadora o la combinación de lavadora y secadora, abra todas las llaves de agua caliente y deje que el agua fluya en cada una durante varios minutos. Esto liberará el gas de hidrógeno que pudiera estar acumulado. Debido a que el gas es inflamable, no fume ni use llamas durante este tiempo.
7. No introduzca la mano en el aparato cuando la tina o el agitador se están moviendo.
8. No permita que los niños o animales domésticos jueguen dentro, delante o en el electrodoméstico. Es necesaria una supervisión estricta cuando el electrodoméstico es usado cerca de los niños o animales domésticos.
9. No altere los controles.
10. No repare ni reemplace ninguna pieza del aparato. Ni intente prestarle servicio a menos que se recomiende específicamente en las instrucciones publicadas de reparación del usuario y que las entienda y tenga la capacitación para hacerlo.
11. Desconecte el suministro de corriente antes de prestar servicio a la lavadora.
12. El agitador no debe ser sacado. Si el agitador se retira, debe ser colocado nuevamente oprimiéndolo hacia abajo completamente y apretando el tornillo de bloqueo antes de que la lavadora sea usada.
13. No lave ni seque artículos sucios con aceite vegetal o para cocinar. Estos artículos podrían contener algo de aceite después de lavarlos. Debido al aceite que le quede le puede salir humo o incendiarse por sí solos.
14. No use blanqueadores de cloro y amoníaco ni ácidos (tales como vinagre o quita óxido) en la misma lavada. Se pueden formar gases peligrosos.
15. No lave en la lavadora materiales de fibra de vidrio. Las pequeñas partículas pueden adherirse a las telas de las lavadas siguientes y pueden causar irritación a la piel.
16. Antes de retirar el aparato de servicio o de descharlo, quite la puerta del compartimiento de lavado.
17. Guarde los detergentes y otros materiales en un lugar fresco y seco donde los niños no puedan alcanzarlos.
18. Las mangueras de entrada del agua se dañan con el pasar el tiempo. Periódicamente verifique si las mangueras tienen protuberancias, retorcimientos, cortes, desgaste o escapes y reemplácelas cada cinco años.

Conserve estas instrucciones

Descripción de los controles

Paso 1 Selección del ciclo

(Las características pueden variar según el modelo.)

Oprima la perilla de control y gírela a la derecha al ciclo deseado. Tire la perrilla hacia afuera para poner en marcha la lavadora.

‘DELICATES’ (ropa delicada) — Para artículos que requieren lavado especial. Los ciclos disponibles son:
‘NORMAL’ (normal) — Aproximadamente 10 a 12 minutos de tiempo de lavado
‘LIGHT’ (liviano) — Aproximadamente 7 a 9 minutos de tiempo de lavado

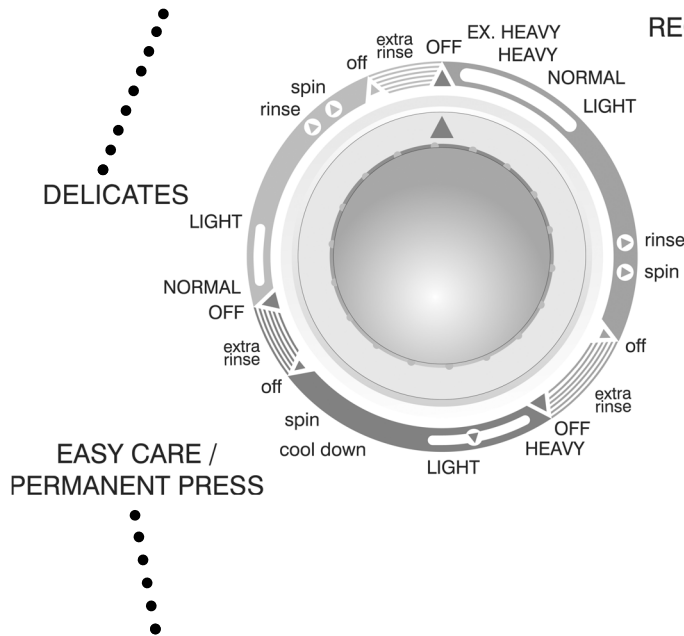
REGULAR (regular) — Se usa para telas comunes, fuertes. Los ciclos disponibles son:

‘EXTRA HEAVY’ (muy sucio) (modelos selectos) — Aproximadamente 16 a 18 minutos de tiempo de lavado

‘HEAVY’ (sucio) — Aproximadamente 14 a 18 minutos de tiempo de lavado

▼ **‘NORMAL’ (normal)** — Aproximadamente 10 a 13 minutos de tiempo de lavado

‘LIGHT’ (no muy sucio) — Aproximadamente 7 a 9 minutos de tiempo de lavado



‘EASY CARE/PERMANENT PRESS’ (cuidado especial/planchado permanente) — Para reducir las arrugas rociando las prendas con un enjuague frío después del lavado. Los ciclos disponibles son :

‘HEAVY’ (sucio) — Aproximadamente 10 a 14 minutos de tiempo de lavado

▼ **‘NORMAL’ (normal)** — Aproximadamente 7 a 9 minutos de tiempo de lavado

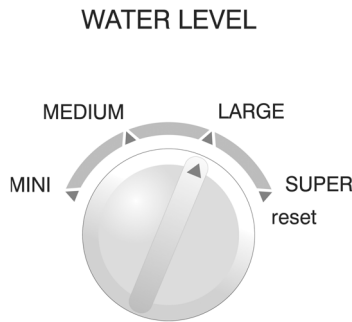
‘LIGHT’ (no muy sucio) — Aproximadamente 5 a 6 minutos de tiempo de lavado

Paso 2 Selección del nivel del agua (Las características pueden variar según el modelo.)

Gire la perilla 'WATER LEVEL' (nivel del agua) al ajuste que coincida con el tamaño de la carga.

Algunos modelos ofrecen ajustes infinitos. Seleccione un ajuste específico o cualquier punto entre cada ajuste.

Si se necesita más agua una vez que la lavadora se ha llenado, gire la perilla a **reset** (reajustar) y luego colóquela en el ajuste adecuado.



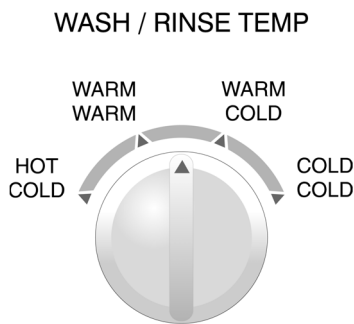
JUSTE DE NIVEL DEL AGUA	TAMAÑO DE LA CARGA
Super (muy grande) de la capacidad	3/4 – de la capacidad
Large (grande)	1/2 – 3/4 de la capacidad
Medium (mediano)	1/3 – 1/2 de la capacidad
Mini	1/4 de la capacidad

RECUERDE : Para obtener los mejores resultados, los artículos deben moverse libremente.

Paso 3 Selección de la temperatura del agua

Gire la perilla WASH/RINSE (lavado/enjuague) a la temperatura del agua deseada.

Siga las instrucciones de la etiqueta de cuidado de la prenda para obtener los mejores resultados. Use la tabla de la derecha como una guía.



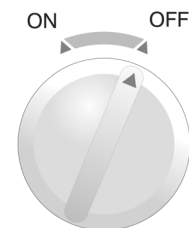
TEMP. DEL AGUA DE LAVADO/ENJUAGUE	TIPO DE ROPA
Hot/Cold (caliente/frío)	Ropa blanca y artículos muy sucios que no destiñen
Warm/Warm (tibio/tibio) (modelos selectos)	Ropa delicada
Warm/Cold (tibio/frío)	Ropa moderadamente sucia, ropa de color; la mayoría de los artículos de cuidado especial y planchado permanente
Cold/Cold (frío/frío)	Ropas de colores brillantes, artículos ligeramente sucios; lanas lavables

RECUERDE : En las temperaturas de agua de lavado inferiores a 18° C (65° F), los detergentes no se disuelven bien ni limpian bien. Las etiquetas de cuidado definen el agua fría como agua a 29,5° C (85° F).

Paso 4 Selección de enjuague adicional (si se desea) (modelos selectos)

OPCION	USO
Extra Rinse (enjuague adicional) (modelos selectos)	Proporciona un enjuague adicional al final del ciclo para quitar de manera más completa los aditivos del lavado, espuma, perfumes, etc.

EXTRA RINSE



Paso 5 Para poner en marcha la lavadora

- Agregue el detergente y cualquier aditivo.
- Agregue la ropa y cierre la tapa.
- Tire hacia afuera la perilla de control para poner en marcha la lavadora.



Características especiales.....

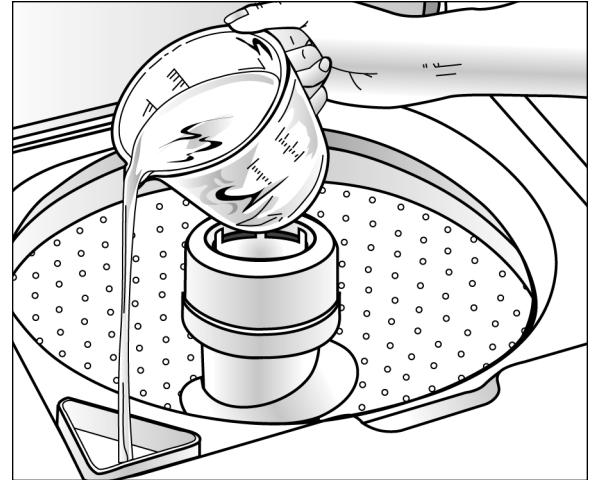
Surtidor de blanqueador (modelos selectos)

El surtidor diluye automáticamente el blanqueador de cloro líquido antes de que éste entre en contacto con la carga de ropa. Siga estos pasos para usar el surtidor:

1. Mida cuidadosamente el blanqueador de cloro líquido, siguiendo las instrucciones del envase.
2. Añada el blanqueador al surtidor antes de colocar la carga de ropa. Evite salpicar o llenar en exceso el surtidor.

NOTA:

- Nunca vierta blanqueador de cloro líquido no diluido directamente sobre la carga de ropa ni en la tina de la lavadora. Es una sustancia química muy fuerte y si no se usa adecuadamente puede dañar las telas; por ejemplo, puede romperlas o decolorarlas.
- Si prefiere utilizar un blanqueador sin cloro que no decolore, viértalo en la tina de lavado junto con el detergente. No vierta blanqueadores sin cloro en el surtidor de blanqueador.



Vierta el blanqueador de cloro líquido en el surtidor de blanqueador.

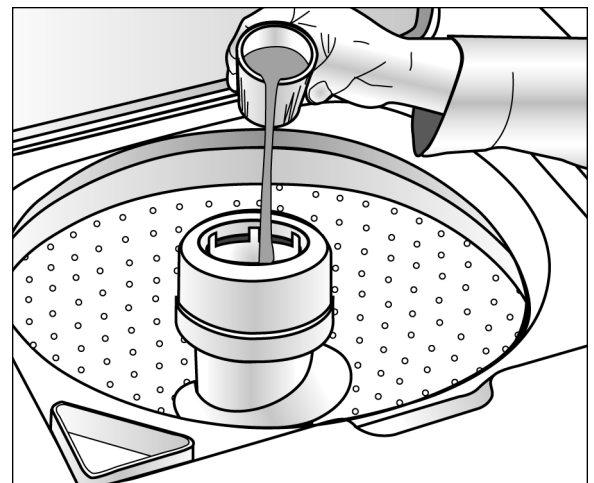
Surtidor de suavizante de telas

Este surtidor automáticamente descarga el suavizante líquido de telas en el momento propicio durante el ciclo:

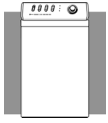
1. Vierta una cantidad medida del líquido deseado en la parte superior del surtidor, solamente hasta la línea de llenado.
2. Si el líquido no llega hasta esta línea, añada agua tibia.

NOTA:

- No pare la lavadora durante la primera exprimida. Esto causará que el surtidor se descargue antes de tiempo.
- Nunca vierta suavizante de telas directamente en la carga. Dejará marcas y manchas.
- Use el surtidor sólo para suavizantes líquidos de tela.



Vacíe el suavizador de telas líquido en una taza y diluya con agua tibia.

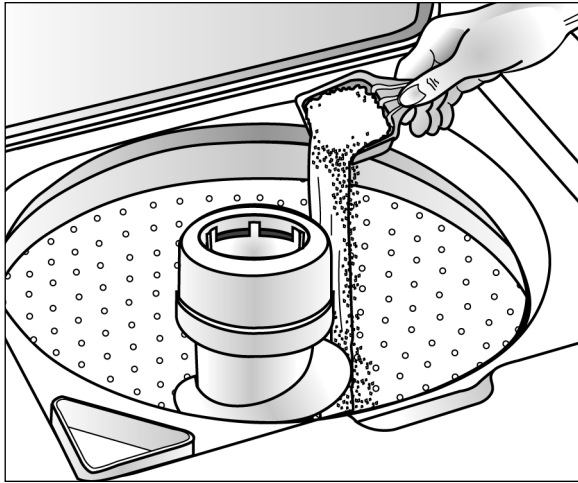


Sugerencias para la operación

Consulte el folleto Sugerencias para el lavado de la ropa que se adjunta si desea ver información detallada sobre la separación de la ropa, el pretratamiento de manchas, etc.

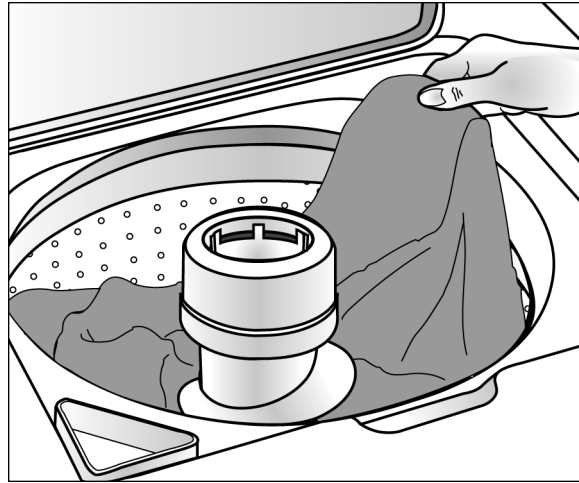
Detergente

- Utilice detergente líquido o granular para lavar ropa. **Para obtener los mejores resultados, asegúrese de añadir el detergente a la lavadora ANTES de colocar la carga de ropa, y de que el agua de lavado tenga una temperatura mayor que 18.3 °C (65 °F).**
- Use la cantidad de detergente adecuada para el tamaño de la carga, el grado de suciedad y las condiciones del agua. Utilice más detergente si el agua es dura y las cargas están muy sucias.
Si el agua es suave o la carga está ligeramente sucia, utilice menos detergente. (Consulte las instrucciones del fabricante.)
- Quite cualquier cantidad de detergente que caiga en la lavadora.



Colocación de la carga de ropa

- Coloque en la tina de la lavadora la ropa seca, desdoblada y de manera holgada, hasta la fila superior de orificios en el caso de una carga completa.
- No envuelva alrededor del agitador las prendas grandes, como por ejemplo las sábanas.
- Mezcle prendas pequeñas y grandes para obtener la mejor circulación. Lave por separado los artículos voluminosos como por ejemplo cobijas o cobertores.
- Cuando lave artículos inarrugables o prendas delicadas, lanas lavables o artículos de tejido holgado, nunca coloque el nivel del agua en un ajuste menor al ajuste MEDIUM (MEDIO). Esto minimizará el encogimiento, la producción de arrugas y la tensión en las costuras de las prendas.
- Para obtener mejores resultados, ponga el detergente en la tina de lavado antes de añadir la carga.
- Cierre cuidadosamente la tapa para evitar golpearla.



Sugerencias adicionales

- Si la lavadora se detiene durante el centrifugado, puede ser que la ropa no esté uniformemente distribuida. Si esto sucede, oprima la perilla de control, abra la tapa, vuelva a distribuir la ropa, cierre la tapa y tire hacia afuera la perilla de control. El centrifugado continuará desde el punto en que fue interrumpido.
- La lavadora se detendrá brevemente a través de cada ciclo. Estas pausas son normales.
- Esta lavadora ha sido diseñada de modo que no agitará ni centrifugará cuando la tapa esté abierta. Sin embargo, se seguirá llenando con la tapa abierta a fin de que haya agua disponible para pretratar las manchas o diluir el suavizador de tela.
- Si usted abre la tapa durante un ciclo, la lavadora se detendrá. Cuando se cierre la tapa y la perilla de control está hacia afuera, la lavadora continuará el ciclo en el punto en que fue interrumpido.



Cuidado y limpieza

Cierre las llaves del agua después de terminar el lavado del día. Esto cortará el suministro de agua a la lavadora y evitará la improbable posibilidad de producir daño a causa de escape de agua.

Use un paño suave para limpiar todo el detergente, blanqueador u otros derrames que puedan haber ocurrido.

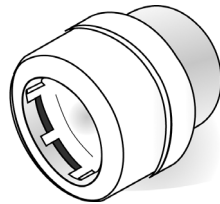
Limpie lo siguiente según se recomiend:

Panel de Control: Limpie con un paño suave y húmedo y con limpiador de vidrio. No use polvos abrasivos o esponjas de limpiar.

Gabinete: Lave con agua y jabón y agregue una cera para electrodomésticos, si se desea.

Surtidor de suavizante de telas

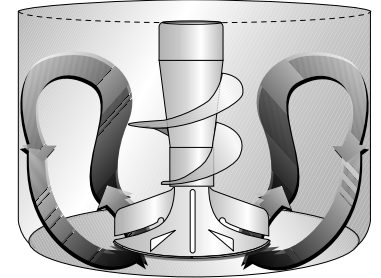
1. Retire el dispensador del agitador.
2. Remoje en el fregadero o en un recipiente en agua caliente y detergente de lavar platos durante una hora.
3. Coloque las manos sobre la parte superior e inferior del dispensador y agítelo para sacar la suciedad de los lados del dispensador.
4. Enjuague con agua caliente.
5. Repita el proceso si es necesario.
6. Reinstale el dispensador en el agitador.



No use detergente líquido de lavar platos dentro de la lavadora pues se puede formar mucha espuma.

Interior: Los depósitos del agua dura pueden ser quitados, si es necesario, usando un limpiador recomendado que pueda ser usado en lavadoras.

Filtro de la Pelusas: Este es un filtro autolimpiante y no requiere mantenimiento. El filtro está ubicado bajo el agitador en el fondo de la tina. Durante el lavado y la porción del enjuague del ciclo, las pelusas se acumulan en el filtro. Luego durante el ciclo de centrifugado y desagüe el filtro se limpia automáticamente.



Almacenamiento de la lavadora

A fin de evitar daño a la lavadora, es necesario sacar completamente el agua que queda en la manguera y en los componentes internos antes del almacenamiento. Prepare la lavadora para el almacenamiento como sigue:

- Seleccione NORMAL en el ciclo 'REGULAR' (Regulares) y añada una taza de blanqueador o vinagre blanco a una carga completa de agua sin ropa. (No mezcle el blanqueador y el vinagre en el mismo lavado. Se pueden formar vapores peligrosos). Permita que la lavadora termine un ciclo completo.

- Cierre las llaves del agua y desconecte las mangueras de entrada del agua.
- Desconecte la lavadora de ropa del suministro eléctrico y deje la puerta de la lavadora abierta para que el aire circule adentro del tambor.
- Si la lavadora ha estado guardada en temperaturas inferiores al punto de congelación, espere un tiempo hasta que la lavadora vuelva a la temperatura normal antes de usarla.
- Después del almacenamiento, seleccione 'NORMAL' en el ciclo 'REGULAR' y haga funcionar la lavadora durante un ciclo completo.



Antes de llamar

Para las soluciones de problemas de lavado (es decir, daño de las telas, residuos, ropa enredada) y procedimientos especiales para cuidado de la ropa, vea el folleto adjunto “Sugerencias para el Lavado.”

Verifique estos puntos si su lavadora...

La lavadora no se ilene

- Enchufe el cordón en un tomacorriente eléctrico con corriente.
- Verifique el fusible o reponga el disyuntor.
- Gire la perilla de control al ciclo apropiado y tire de la perilla hacia afuera para poner en marcha la lavadora. Si está equipada con botones, asegúrese de que estos hayan sido completamente oprimidos.
- Abra ambas llaves completamente.
- Enderece las mangueras de admisión.
- Desconecte las mangueras y lave las mallas de los filtros. Los filtros de malla de la manguera pueden estar obstruidos.

La lavadora no agita

- Verifique el fusible o reponga el disyuntor.
- Asegúrese de que la tapa esté bien cerrada.
- Gire la perilla de control al ciclo apropiado y tire de la perilla hacia afuera para poner en marcha la lavadora.
- Cierre la tapa y tire la perilla hacia afuera para poner en marcha la lavadora. Para su seguridad, la lavadora no agitará ni centrifugará a menos que la tapa esté cerrada.
- La lavadora está equipada con un detector de falla del interruptor de la tapa. Para su seguridad, cuando el interruptor de la tapa no funciona, el detector detiene todas las operaciones para su seguridad. Llame para solicitar servicio.

La lavadora no centrifuga ni desagua

- La ropa no está distribuida uniformemente. Vuelva a distribuir la ropa, cierre la tapa y tire de la perilla hacia afuera. Verifique si la lavadora está nivelada. Asegúrese de que el nivel del agua sea aceptable para el tamaño de la carga de ropa.
- Verifique el fusible o reponga el disyuntor.
- Enderece las mangueras de desagüe. Elimine las mangueras torcidas. Si hay una restricción del desagüe, llame a reparaciones.
- Cierre la tapa y tire de la perilla hacia afuera para poner en marcha la lavadora. Para su seguridad, la lavadora no agitará ni centrifugará a menos que la tapa esté cerrada.
- La lavadora está equipada con un detector de falla del interruptor de la tapa. Para su seguridad, si el interruptor de la tapa no funciona, el detector detiene las operaciones. Llame para solicitar servicio.
- Bloqueo por espuma – causado por exceso de espuma. Vuelva a lavar sin detergente. Use la cantidad correcta de un detergente que forme poca espuma.

La ropa queda mojada

- La lavadora puede haber detectado una carga mal distribuida. Distribuya bien la ropa en la tina, cierre la tapa y tire hacia afuera la perilla de control.
- Para las cargas pesadas, tales como vaqueros o toallas, se recomienda la velocidad de centrifugado normal.



Antes de llamar (cont.).....

Verifique Estos Puntos si su Lavadora...

La lavadora se detiene

- La ropa no está distribuida uniformemente. Vuelva a distribuir la ropa, cierre la tapa y tire de la perilla hacia afuera. Verifique si la lavadora está nivelada. Asegúrese de que el nivel del agua sea aceptable para el tamaño de la carga de ropa.
- Enchufe el cordón en un tomacorriente eléctrico con corriente.
- Verifique el fusible o reponga el disyuntor.
- Gire la perilla de control al ciclo apropiado y tire de la perilla hacia afuera para poner en marcha la lavadora.
- Cierre la tapa y tire de la perilla hacia afuera para poner en marcha la lavadora. Para su seguridad, la lavadora no agitará ni centrifugará a menos que la tapa esté cerrada.
- Puede que sea una pausa del ciclo o el período de remojo. Espere brevemente y puede que continúe funcionando.
- La lavadora está equipada con un detector de falla del interruptor de la tapa. Para su seguridad, si el interruptor de la tapa no funciona, el detector detiene las operaciones. Llame para solicitar servicio.

Hay escape de agua

- Asegúrese de que las conexiones de la manguera estén herméticas.
- Asegúrese de que el extremo de la manguera de desagüe esté correctamente insertado y asegurado en el receptáculo de desagüe.
- Evite el remojo prolongado – remoje durante 30 minutos o menos.
- Evite cargar demasiado la lavadora.

La lavadora tiene ruido

- Asegúrese de que lavadora esté debidamente nivelada como se describe en el manual de instalación.
- Los pisos débiles pueden causar vibración y movimiento.
- Asegúrese que se hayan instalado los protectores de goma en los tornillos niveladores.
- Los sonidos del funcionamiento variarán de acuerdo con la velocidad del centrifugado.

La lavadora se ilena pero con temperatura incorrecta del agua

- Abra ambas llaves completamente.
- Si está equipada con una perilla selectora de temperatura, asegúrese de que esté colocada exactamente en el ajuste de temperatura y no entre dos ajustes.
- Asegúrese de que la selección de temperatura sea correcta.
- Asegúrese de que las mangueras estén conectadas a las llaves correctas y las conexiones de admisión. Asegúrese de que el suministro del agua esté regulado correctamente. Limpie la tubería del agua antes de llenar la lavadora. Deje correr agua dentro de la tubería del agua antes de llenar la lavadora.
- Verifique el calefactor del agua. Debe estar ajustado para entregar un mínimo de agua caliente a 120°F (49°C) en la llave. También verifique la capacidad del calefactor del agua y la velocidad de recuperación.
- Desconecte las mangueras y limpie las mallas de los filtros. Los filtros de malla de las mangueras pueden estar obstruidos.

Si desea recibir más asistencia comuníquese con Maytag Appliances Sales Company, Departamento de Asistencia al Cliente de Maytag : 1-800-688-9900 en EE.UU.; o 1-800-688-2002 en Canadá



Notas.....



Maytag garantía de la lavadora

Un año de garantía en partes y mano de obra

Durante un (1) año a partir de la fecha original de la compra, cualquier parte que falle durante el uso normal en su hogar se reparará o reemplazará sin costo alguno.

Garantía Limitada

Después del primer año a partir de la fecha de compra original al menudeo, o durante los períodos que se indican a continuación, las piezas designadas que fallen en el uso doméstico normal de la unidad serán reparadas o reemplazadas gratuitamente, y el propietario deberá pagar todos los demás cargos, inclusive mano de obra, millaje y transportación.

Segundo Año – Todas las piezas.

Del Tercero al Quinto Año – El motor impulsor. Todas las piezas de los controles de estado sólidos (si así está equipada).

Del Tercero al Décimo Año – Todas las piezas del conjunto de la transmisión.

Garantía Limitada Adicional contra Oxidación

Si el gabinete exterior, incluyendo la cubierta, la tapa y el bastidor se oxidan durante el primer año a partir de la fecha de compra al por menor, se repararán o reemplazarán gratuitamente. Después del primer año y hasta el décimo año, la reparación y el reemplazo serán efectuados gratuitamente en lo que respecta a las piezas mismas y el propietario deberá pagar todos los otros costos, incluyendo mano de obra, kilometraje y transporte.

Se Ruega Nota: La garantía total y la garantía limitada aplican cuando el electrodoméstico se encuentre en Estados Unidos o en Canadá. Los electrodomésticos que se encuentren en otro lugar solamente están cubiertos por la garantía limitada, inclusive las piezas que fallen durante el primer dos años.

Residentes de Canadá

Las garantías antes mencionadas sólo cubren los electrodomésticos instalados en Canadá certificados o listados por las agencias de pruebas apropiadas para cumplir con el National Standard of Canada (Norma Nacional de Canadá), a menos que el electrodoméstico se lleve a Canadá debido a un cambio de residencia desde los Estados Unidos hacia Canadá.

Las garantías específicas expresadas anteriormente son las ÚNICAS garantías que ofrece el fabricante. Estas garantías le otorgan derechos legales específicos y puede también tener otros derechos los cuales varían entre estados.

Para obtener el servicio de garantía

Para ubicar un centro de servicio autorizado en su área, comuníquese con el distribuidor Maytag con el cual compró el electrodoméstico; o llame al Departamento de Asistencia al Cliente de Maytag Appliances Sales Company. Si no recibe un servicio de garantía satisfactorio, por favor llame o escriba a:

Maytag Appliances Sales Company

Attn: CAIR® Center

P.O. Box 2370

Cleveland, TN 37320-2370

1-800-688-9900 EE.UU.

1-800-688-2002 CANADÁ

Cuando se comunique con el Departamento de Asistencia al Cliente de Maytag Appliances Sales Company con relación a un problema de servicio, por favor incluya la siguiente información:

- (a) Su nombre, domicilio y número de teléfono;
- (b) El número de modelo y el número de serie (se encuentran en el borde trasero izquierdo del panel de control) de su electrodoméstico;
- (c) El nombre y la dirección de su distribuidor y la fecha de compra del electrodoméstico;
- (d) Una descripción clara del problema que experimenta;
- (e) Un comprobante de compra.

Estas garantías no cubren lo siguiente:

- 1. Condiciones y daños resultantes de cualquiera de las siguientes condiciones:
 - a. Instalación, entrega o mantenimiento inadecuados.
 - b. Cualquier reparación, modificación, alteración o ajuste no autorizado por el fabricante o por un técnico de servicio autorizado.
 - c. Uso inadecuado, abuso, accidentes o uso irrazonable.
 - d. Corriente, voltaje o suministro eléctrico incorrecto.
 - e. Ajuste incorrecto de uno de los controles.
- 2. Las garantías se anularán si los números de serie originales se quitan, alteran o no se pueden determinar fácilmente.
- 3. Productos comprados para uso comercial o industrial.
- 4. El costo del servicio o de las llamadas de servicio para:
 - a. Corregir errores de instalación.
 - b. Instruir al usuario sobre el uso correcto del producto.
 - c. Transportar el electrodoméstico al centro de servicio.
- 5. Daños resultantes o incidentales sufridos por una persona como resultado de la violación de alguna de estas garantías.

Algunos estados no permiten la exclusión ni la limitación de daños resultantes ni incidentales, de manera que es posible que no aplique la exclusión anterior.

Las guías del usuario, los manuales de servicio y los catálogos de piezas están disponibles en el Departamento de Asistencia al Cliente de Maytag Appliances Sales Company.

MAYTAG • 403 W. 4th Street N. • P.O. Box 39 • Newton, Iowa 50208